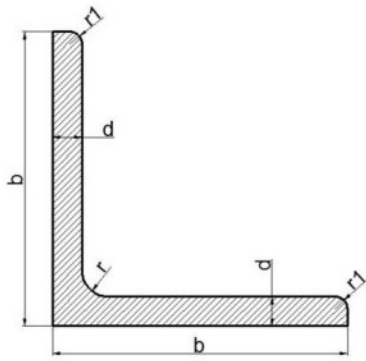


Product data sheet

Hot Rolled Equal angle (GB/T706-2008)

Note : Please contact us to discuss any special requirements you might have



Shape and dimensions of equal angle

Type	Nominal dimensions (mm)				sectional area (cm ²)	theoretic weight (kg/m)
	b	d	r	r ₁		
90	90	6	10	1/3d	10.637	8.350
		7	10	1/3d	12.301	9.656
		8	10	1/3d	13.944	10.946
		9	10	1/3d	15.566	12.219
		10	10	1/3d	17.167	13.746
		12	10	1/3d	20.306	15.940
12.5	125	8	14	1/3d	19.750	15.504
		10	14	1/3d	24.373	19.133
		12	14	1/3d	28.912	22.696
		14	14	1/3d	33.367	26.193
		16	14	1/3d	37.739	29.625

Type	Nominal dimensions (mm)				sectional area (cm ²)	theoretic weight (kg/m)
	b	d	r	r ₁		
13	130	10	14	1/3d	25.373	19.918
		12	14	1/3d	30.112	23.638
		14	14	1/3d	34.767	27.292
		16	14	1/3d	39.339	30.881
14	140	10	14	1/3d	27.373	21.488
		12	14	1/3d	32.512	25.522
		14	14	1/3d	37.567	29.490
		16	14	1/3d	42.539	33.393
15	150	8	14	1/3d	23.750	18.644
		10	14	1/3d	29.373	23.058
		12	14	1/3d	34.912	27.406
		14	14	1/3d	40.367	31.688
15	150	15	14	1/3d	43.063	33.804
		16	14	1/3d	45.739	35.905
16	160	10	16	1/3d	31.502	24.729
		12	16	1/3d	37.441	29.391
		14	16	1/3d	43.296	33.987
		16	16	1/3d	49.067	38.518
18	180	12	16	1/3d	42.241	33.159
		14	16	1/3d	48.896	38.383
		16	16	1/3d	55.467	43.542
		18	16	1/3d	61.055	48.634

Type	Nominal dimensions (mm)				sectional area (cm ²)	theoretic weight (kg/m)
	b	d	r	r ₁		
20	200	14	18	1/3d	54.642	42.894
		16	18	1/3d	62.013	48.680
		18	18	1/3d	69.301	54.401
		20	18	1/3d	76.505	60.056
		24	18	1/3d	90.661	71.168
22	220	16	21	1/3d	68.664	53.901
		18	21	1/3d	76.752	60.250
		20	21	1/3d	84.756	66.533
		22	21	1/3d	92.676	72.751
		24	21	1/3d	100.512	78.902
		26	21	1/3d	108.264	84.987
25	250	18	24	1/3d	87.842	68.956
		20	24	1/3d	97.045	76.180
		24	24	1/3d	115.201	90.433
		26	24	1/3d	124.154	97.461
		28	24	1/3d	133.022	104.422
		30	24	1/3d	141.807	111.318
		32	24	1/3d	150.508	118.149
		35	24	1/3d	163.402	128.271

Hot Rolled Equal angle Tolerances of products

(GB/T706-2008)

National standard is GB/T706-2008, SGCC standard is State Grid Corporation of China standard, CSPGC standard is China Southern power grid company.

nominal dimensions (mm)		Tolerances of products (mm)		
		National standard	SGCC standard	CSPGC standard
Side Width (b)	$56 < A, B \leq 90$	± 1.2	$-0.6 \sim +1.2$	$0 \sim +1.2$
	$90 < b \leq 140$	± 1.8	$-0.9 \sim +1.8$	$0 \sim +1.8$
	$140 < b \leq 200$	± 2.5	$-1.2 \sim +2.5$	$0 \sim +2.5$
	$b > 200$	± 3.5	$-1.7 \sim +3.5$	$0 \sim +3.5$
Side thickness (d)	$56 < A, B \leq 90$	± 0.6	$-0.3 \sim +0.6$	$0 \sim +0.5$
	$90 < b \leq 140$	± 0.7	$-0.35 \sim +0.7$	$0 \sim +0.6$
	$140 < b \leq 200$	± 1.0	$-0.5 \sim +1.0$	$0 \sim +0.8$
	$b > 200$	± 1.4	$-0.7 \sim +1.4$	$0 \sim +1.2$
Tortuosity	Tortuosity per meter $\leq 3\text{mm}$, total tortuosity $\leq 0.30\%$ of total length			

[no text in next page]